

FM-6

Fixed Mount Smart Camera

JADAK's FM-6 fixed mount barcode scanner is designed for applications that require aggressive 1D and 2D barcode scanning but may also require machine vision image processing functions.

At the heart of the FM-6 is the latest in barcode imaging technology. Utilizing the only area sensor designed specifically for reading barcodes, the FM-6 has longer product life cycles than devices using off the shelf area sensors. The FM-6 not only excels at reading barcodes the dual-functionality sensor provides both dedicated black & white mode (ideal for barcode) and color mode (ideal for image analysis).

Trying to read barcodes in motion or concerned about users presenting barcodes by hand? With motion tolerance up to 584cm (230") per second, the FM-6 is ready to take on applications where the barcode is moved by the scanner, either mechanically or by hand.

The great performance provided by the FM-6 comes in a small compact package that is ideal for OEM devices such as clinical analyzers, industrial robotic systems, kiosks and other devices looking to integrate a worry-free barcode scanner. The FM-6 is also a great fit for End-User applications such as manufacturing, or other applications requiring a fixed mount scanner.

• **Dual Purpose Sensor**

Flexible - Designed and optimized to read barcodes and capture/process color images

• **No Moving Parts**

Reliable - Constructed of Solid-State electronics the FM-6 is free from any moving parts that can break, come out of alignment or wear

• **Long Product Life**

Reduce design risk - With a dedicated barcode sensor the FM-6 drastically reduces the risk of product changes and product retirements.



2d



1d



Paperless
Documentation



JADAK[®]
visionary thinking

Performance

Sensor: Purpose Built CMOS Sensor, Global shutter, 844 × 640 pixel resolution
60 frames per second, B&W and Color

Illumination: 617nm visible Red LED (White LEDs available on Color units)
Aiming: 528nm Visible Green LED

Motion Tolerance: Up to 584 cm (230") per second in total darkness with .013" UPC at 4"

Scan Angles: Tilt: 360 Pitch +/- 45 Skew: +/- 65

Symbol Contrast: 20% Minimum Reflectance

Ambient Light: 0-100,000 lux (total darkness – bright sunlight)

Barcode Resolution: Down to 3 mil (.003")

Symbologies:

Linear: UPC/EAN/JAN, GS1 DataBar, Code 39, Code 128, Code 32, Code 93, Codabar/NW7, Interleaved 2 of 5, Code 2 of 5, Matrix 2 of 5, MSI, Telepen, Trioptic, China Post; 2D Stacked: PDF417, MicroPDF417, GS1 Composite

2D Matrix: Aztec Code, Data Matrix, QR Code, Micro QR Code, MaxiCode, Han Xin Code

Postal: Intelligent Mail Barcode, Postal-4i, Australian Post, British Post, Canadian Post, Japanese Post, Netherlands (KIX) Post, Postnet, Planet Code;

OCR: OCR-A, OCR-B, E13B (MICR) (OCR Optional)

Field Of View: SR Optics: 42.4° (Horizontal), 33.0° (Vertical)
ER Optics: 31.6° (Horizontal), 24.4° (Vertical)
HD Optics: 41.4° (Horizontal), 32.2° (Vertical)

Electrical

Interface: True RS-232, USB 1.1 (HID COMM or Keyboard)

Input Voltage: +5VDC +/- 5%

Current Draw: <500mA

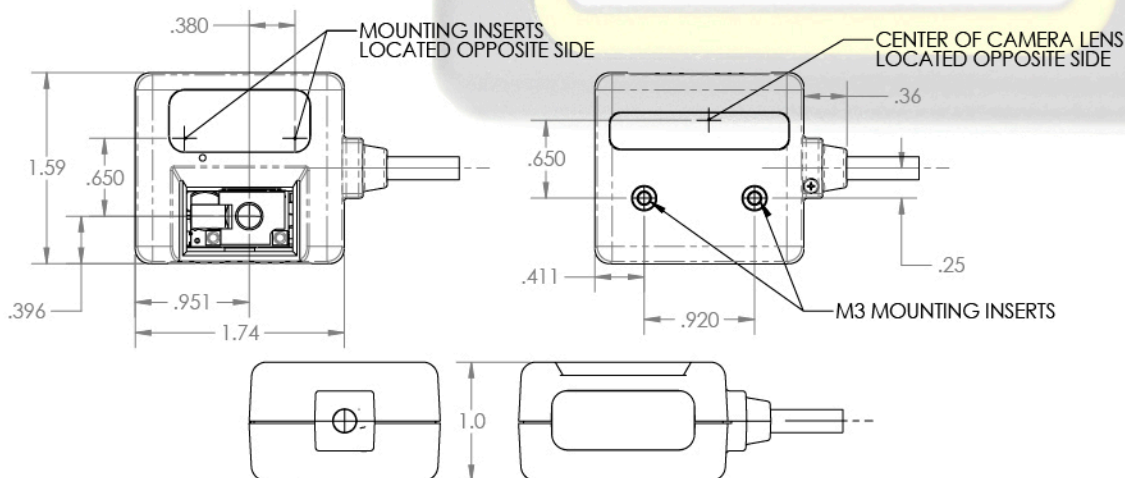
Environmental/Other

Temperature: Operating: -25C to 50C
Storage: -40c to 70C

Humidity: 0-95% relative humidity, non-condensing at 50C

Agency: FCC Class B, CE, RoHS Compliant

EMC Directive: EMC Directive 2014/30/EU FCC PART 15" Class B



*Performance may be impacted by bar code quality and environmental conditions.

All specifications subject to change without notice.

High Density (HD) Optics	
Symbology/X-Dim	Typical Range*
8 mil Oode 99	48 mm - 91 mm (1.9" - 3.6")
6 mil Oode 99	80 mm - 127 mm (1.2" - 6.0")
7.6 mil Oode 99	88 mm - 162 mm (1.8" - 6.0")
6 mil MicroPDF417	80 mm - 182 mm (1.2" - 6.2")
6 mil Data Matrix	41 mm - 86 mm (1.6" - 3.4")
Resolution, linear bar codes: 0.076 mm (3.0 mil)	
Resolution, 2D matrix codes: 0.127 mm (5.0 mil)	

Standard Range (SR) Optics	
Symbology/X-Dim	Typical Range*
100% U.P.O.	46 mm to 419 mm (1.8" to 16.5")
6 mil Oode 99	64 mm - 182 mm (2.5" - 6.4")
10 mil Oode 99	28 mm - 338 mm (1.1" - 13.3")
6.7 mil PDF417	46 mm - 186 mm (1.8" - 7.3")
10 mil Data Matrix	65 mm - 208 mm (2.1" - 8.0")
Resolution, linear bar codes: 0.127 mm (5.0 mil)	
Resolution, 2D matrix codes: 0.169 mm (6.7 mil)	

Extended Range (ER) Optics	
Symbology/X-Dim	Typical Range*
100% U.P.O.	61 mm to 693 mm (2.4" to 21.0")
10 mil Oode 99	61 mm - 442 mm (2.4" - 17.4")
16 mil Oode 128	88 mm - 649 mm (1.6" - 21.6")
10 mil PDF417	66 mm - 396 mm (2.2" - 15.6")
MaxiCode	79 mm - 628 mm (3.1" - 20.8")
Resolution, linear bar codes: 0.127 mm (5.0 mil)	
Resolution, 2D matrix codes: 0.191 mm (7.5 mil)	



ISO 9001 : 2008
REGISTERED FIRM

© 2015 JADAK LLC
06.03.15

USA Office
7279 William Barry Blvd.
North Syracuse, NY
13212-3349

+1 315.701.0678 Phone
+1 315.701.0679 Fax
email: info@jadaktech.com

European Office
Emmastraat 16
4811 AG Breda
The Netherlands

+31 (0)76.522.5588 Phone
+31 (0)76.522.4747 Fax
email: info@jadak.eu

Asia Pacific Office
Building 8
Gangtian Industrial Square
GangTian Road
Suzhou Industrial Park
JiangSu, China 215024

+86 512.6283.7080 Phone
email: info@jadaktech.com



JADAK[®]
visionary thinking

www.jadaktech.com